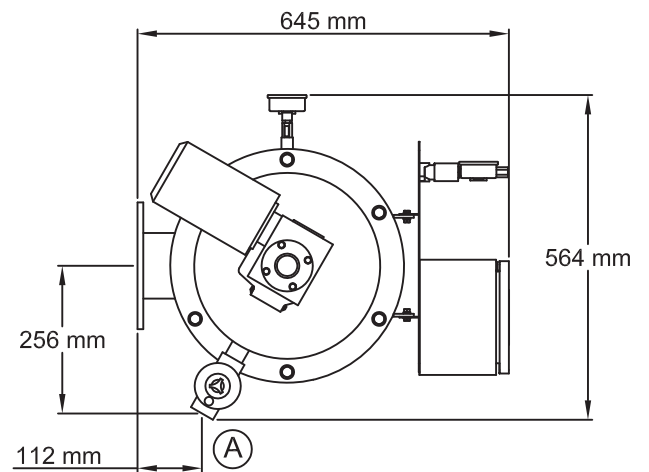


- (A) Colector drenaje 1"  
1" Drainage manifold
- (B) Colector entrada 4"  
4" Inlet manifold
- (C) Colector salida 4"  
4" Outlet manifold



### AZUD LUXON LDB 2700 S/4

SCALE S/E A4 FORMAT	MATERIAL:	RESPONS.: M. Martínez	<b>AZUD</b>
	UNITS: mm.	REVISION: 00	
	FILE: Azud_luxon_LDB_2700-S4.dwg	31/05/2011	